



## TRIPLEX AS

Henda, 6530 Averøy  
NORWAY  
Tel. +47 71 51 39 00  
Fax +47 71 51 39 01  
post@triplex.no  
www.triplex.no

## PRODUCTS

# DECK CRANES

### TRIPLEX DECK CRANES – when reliability comes first!

- **Have all cylinder piston rods, pins and high pressure pipes of seawater resistant (stainless) steel**
- **Are delivered shotblasted, metallized, primed and epoxy painted**
- **Can turn through 360 degrees**
- **Can be delivered with both working radius (reach) and foundation designed to suit each individual vessel**
- **Have powerful slewing system with automatic brake**
- **Can be delivered controlled from platform, electric remote controlled, or radio controlled**
- **Have extra long life with a minimum of maintenance.**
- **Have a rugged construction made to meet the roughest conditions.**
- **Have an extra broad construction of the linkages ensures the stability and allows a higher slewing torque of the cranes.**
- **Can be delivered with electrohydraulic Power Pack built inside the foundation column.**
- **Are designed to carry the maximum load, even when fully extended.**



### Deck Cranes

#### Knuckle Cranes

Type KN-10

Type KN-16

Type KN-25

Type KN-30

Type KN-50

Type KN-75

Type KN-120

#### Straight Arm Cranes

Type K-10

Type K-16

Type K-25

Type K-30

Type K-50

Type K-75

Type K-120

Details



Oversikt ↗



## TRIPLEX AS

Henda, 6530 Averøy  
 NORWAY  
 Tel. +47 71 51 39 00  
 Fax +47 71 51 39 01  
 post@triplex.no  
 www.triplex.no

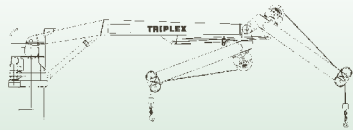
## PRODUCTS

# - DECK CRANES

### Deck Cranes

#### Knuckle Cranes

Type KN-10



KN-10

Type KN-16

Type KN-25

Type KN-30

Type KN-50

Type KN-75

Type KN-120



KN-25

#### Straight Arm Cranes

Type K-10

Type K-16

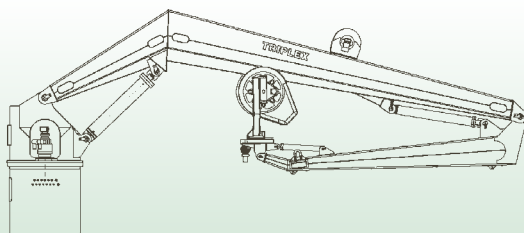
Type K-25

Type K-30

Type K-50

Type K-75

Type K-120



KN-120



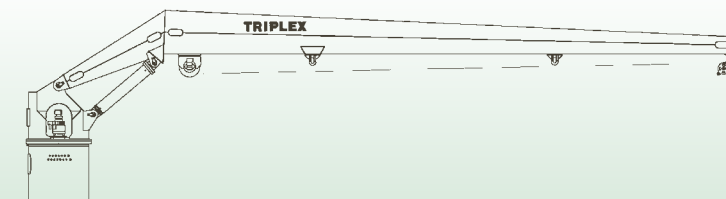
K-10



K-25



K-50



K-120

Details





# TRIPLEX AS PRODUCTS

Henda, 6530 Averøy  
NORWAY  
Tel. +47 71 51 39 00  
Fax +47 71 51 39 01  
post@triplex.no  
www.triplex.no

## DECK CRANES / knuckle

Deck Cranes

Knuckle Cranes

**Type KN-10**

Type KN-16

Type KN-25

Type KN-30

Type KN-50

Type KN-75

Type KN-120

Straight Arm Cranes

Type K-10

Type K-16

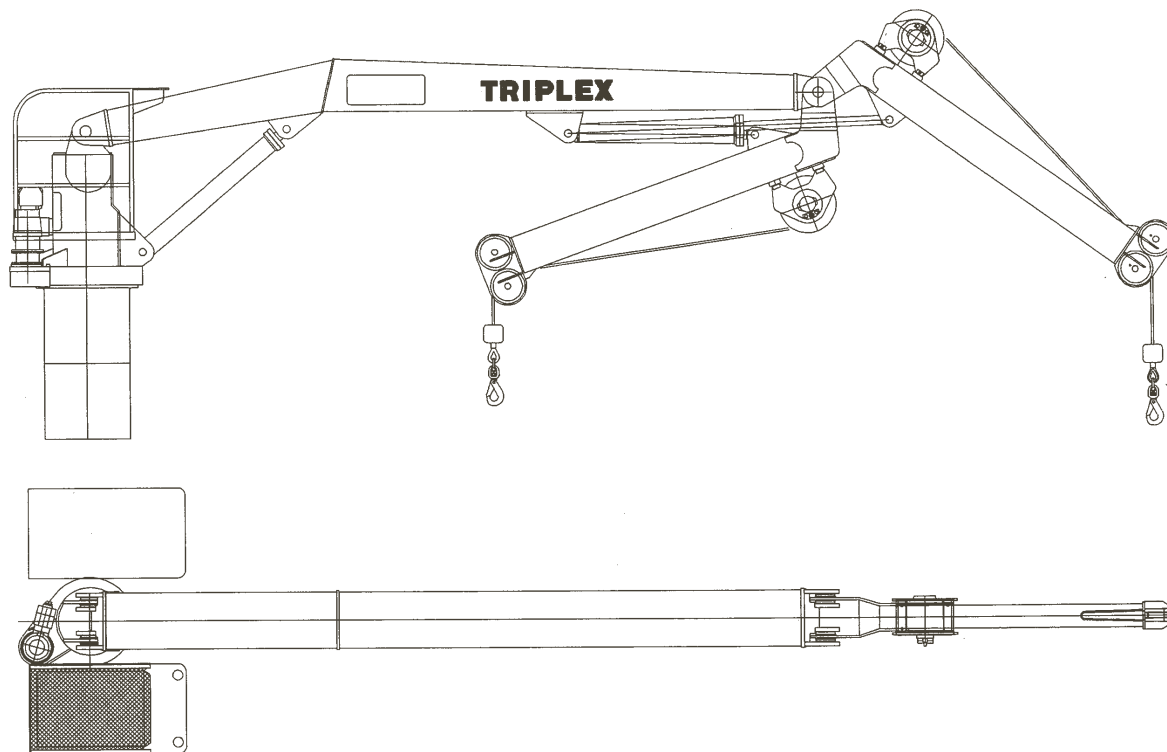
Type K-25

Type K-30

Type K-50

Type K-75

Type K-120



### Type KN-10

Dimensioned lifting capacity SWL . . . 10,5 Tm

Winch capacity . . . . . 0,5–2,0 Tonnes

*Winch capacity depends on working radius*

Max.working radius (reach) . . . . . 5,0–10,0 m

Weight, approx . . . . . 2.400 kgs

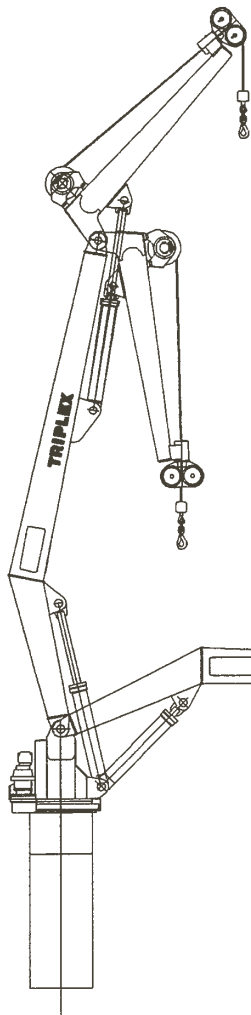


# TRIPLEX AS PRODUCTS

Henda, 6530 Averøy  
NORWAY  
Tel. +47 71 51 39 00  
Fax +47 71 51 39 01  
post@triplex.no  
www.triplex.no

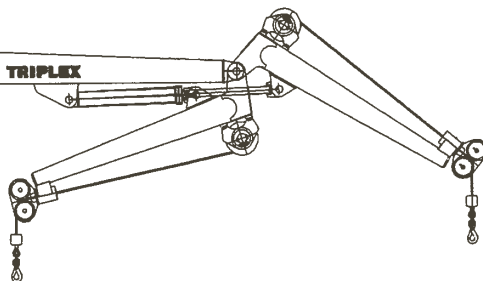
## DECK CRANES / knuckle

Deck Cranes
Knuckle Cranes
Type KN-10
<b>Type KN-16</b>
Type KN-25
Type KN-30
Type KN-50
Type KN-75
Type KN-120
Straight Arm Cranes
Type K-10
Type K-16
Type K-25
Type K-30
Type K-50
Type K-75
Type K-120



### Type KN-16

Dimensioned lifting capacity SWL . . . 18,5 Tm  
 Winch capacity . . . . . 1,0–2,5 Tonnes  
*Winch capacity depends on working radius*  
 Max. working radius (reach) . . . . . 7,0–10,0 m  
 Weight, approx . . . . . 2.900 kgs





# TRIPLEX AS PRODUCTS

Henda, 6530 Averøy  
NORWAY  
Tel. +47 71 51 39 00  
Fax +47 71 51 39 01  
post@triplex.no  
www.triplex.no

## DECK CRANES / knockle

Deck Cranes

Knuckle Cranes

Type KN-10

Type KN-16

**Type KN-25**

Type KN-30

Type KN-50

Type KN-75

Type KN-120

Straight Arm Cranes

Type K-10

Type K-16

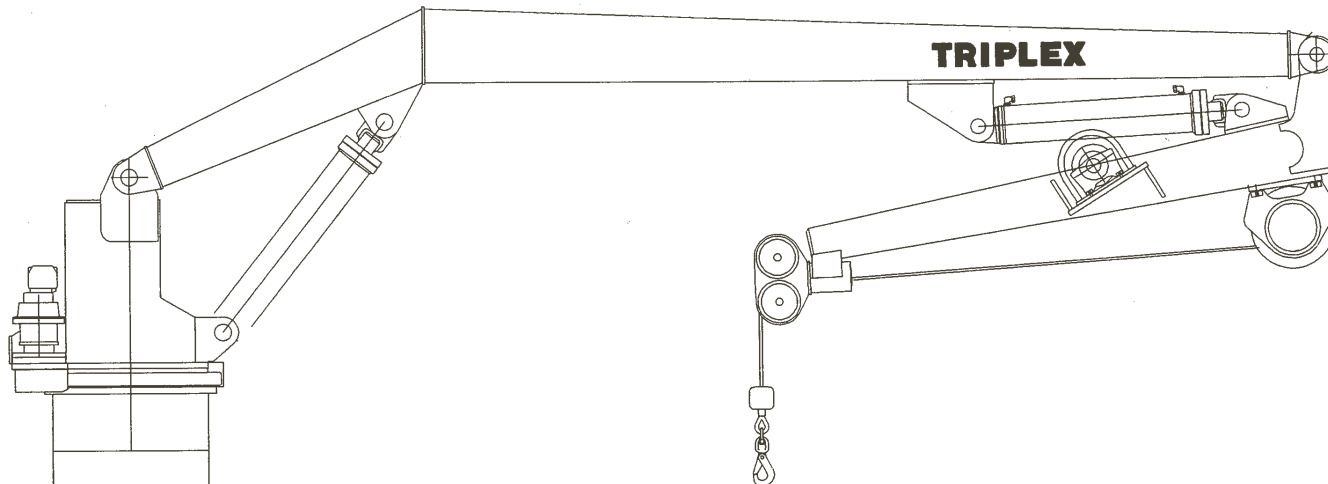
Type K-25

Type K-30

Type K-50

Type K-75

Type K-120



### Type KN-25

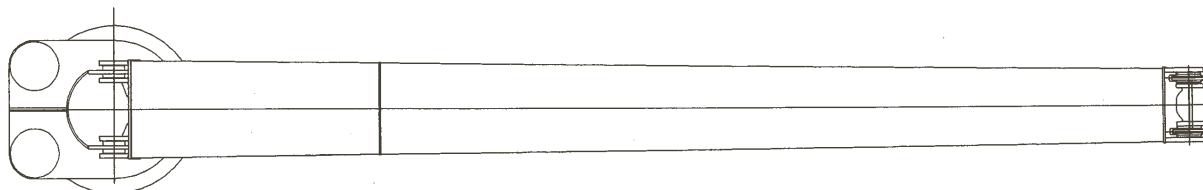
Dimensioned lifting capacity SWL... 25,0 Tm

Winch capacity ..... 2,5-3,1 Tonnes

*Winch capacity depends on working radius*

Max. working radius (reach) ..... 8,0-10,0 m

Weight, approx ..... 2.600 kgs



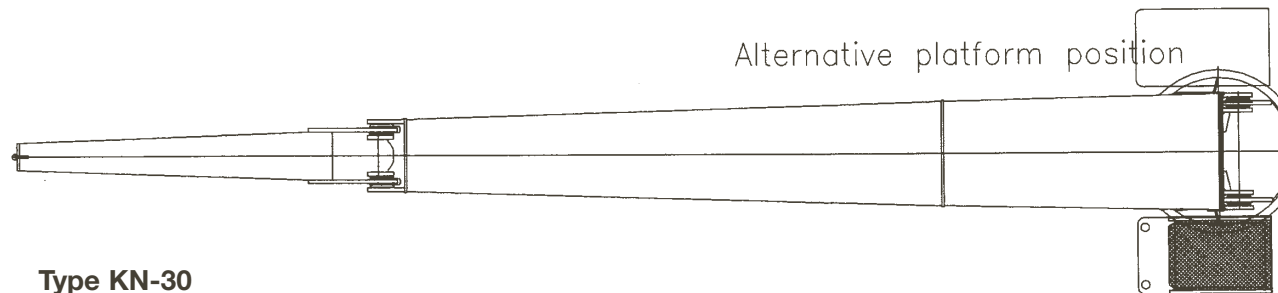
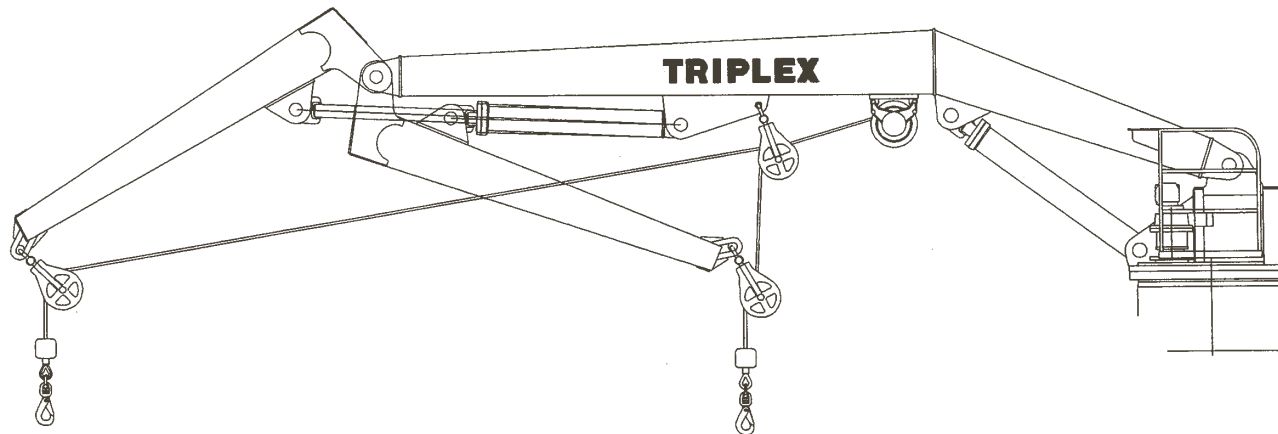


# TRIPLEX AS PRODUCTS

Henda, 6530 Averøy  
NORWAY  
Tel. +47 71 51 39 00  
Fax +47 71 51 39 01  
post@triplex.no  
www.triplex.no

## DECK CRANES / knockle

Deck Cranes
Knuckle Cranes
Type KN-10
Type KN-16
Type KN-25
<b>Type KN-30</b>
Type KN-50
Type KN-75
Type KN-120
Straight Arm Cranes
Type K-10
Type K-16
Type K-25
Type K-30
Type K-50
Type K-75
Type K-120



**Type KN-30**  
 Dimensioned lifting capacity SWL . . . 30,0 Tm  
 Winch capacity . . . . . 2,0–3,5 Tonnes  
*Winch capacity depends on working radius*  
 Max. working radius (reach) . . . . . 7.5–12.0 m  
 Weight, approx . . . . . 4.500 kgs

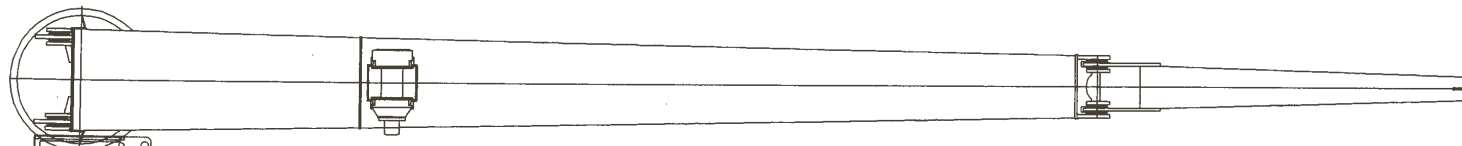
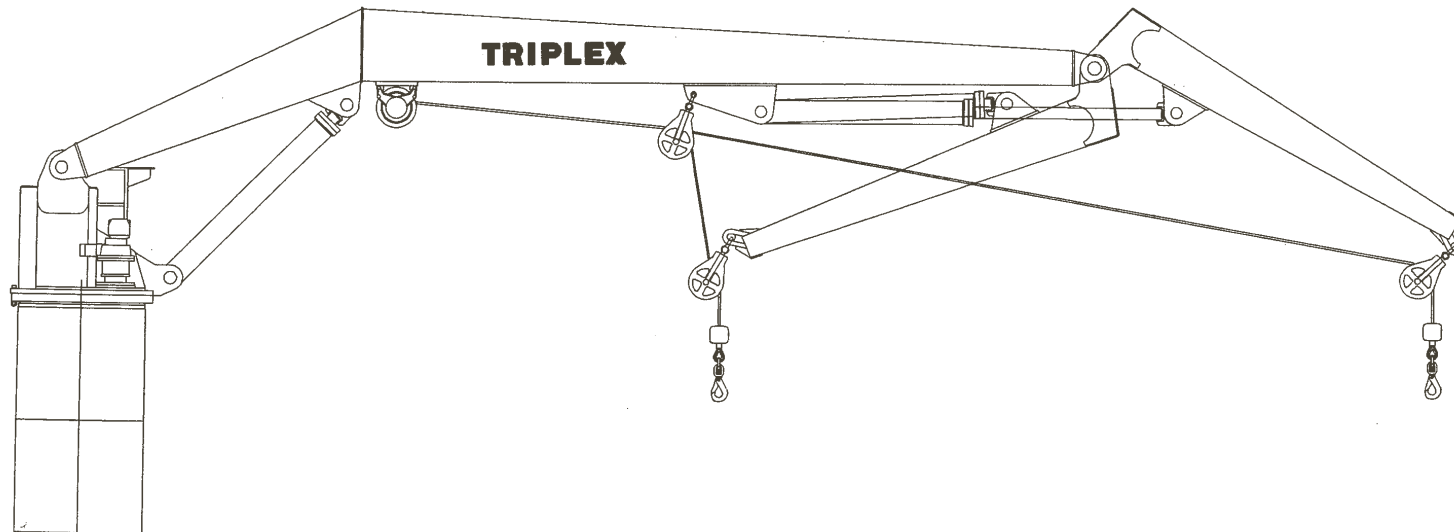


# TRIPLEX AS PRODUCTS

Henda, 6530 Averøy  
NORWAY  
Tel. +47 71 51 39 00  
Fax +47 71 51 39 01  
post@triplex.no  
www.triplex.no

## DECK CRANES / knockle

Deck Cranes
Knuckle Cranes
Type KN-10
Type KN-16
Type KN-25
Type KN-30
<b>Type KN-50</b>
Type KN-75
Type KN-120
Straight Arm Cranes
Type K-10
Type K-16
Type K-25
Type K-30
Type K-50
Type K-75
Type K-120



### **Type KN-50**

- Dimensioned lifting capacity SWL . . . 50,0 Tm
- Winch capacity . . . . . 2,5–5,0 Tonnes
- Winch capacity depends on working radius*
- Max. working radius (reach) . . . . . 10,0–16,0 m
- Weight, approx . . . . . 6.000 kgs

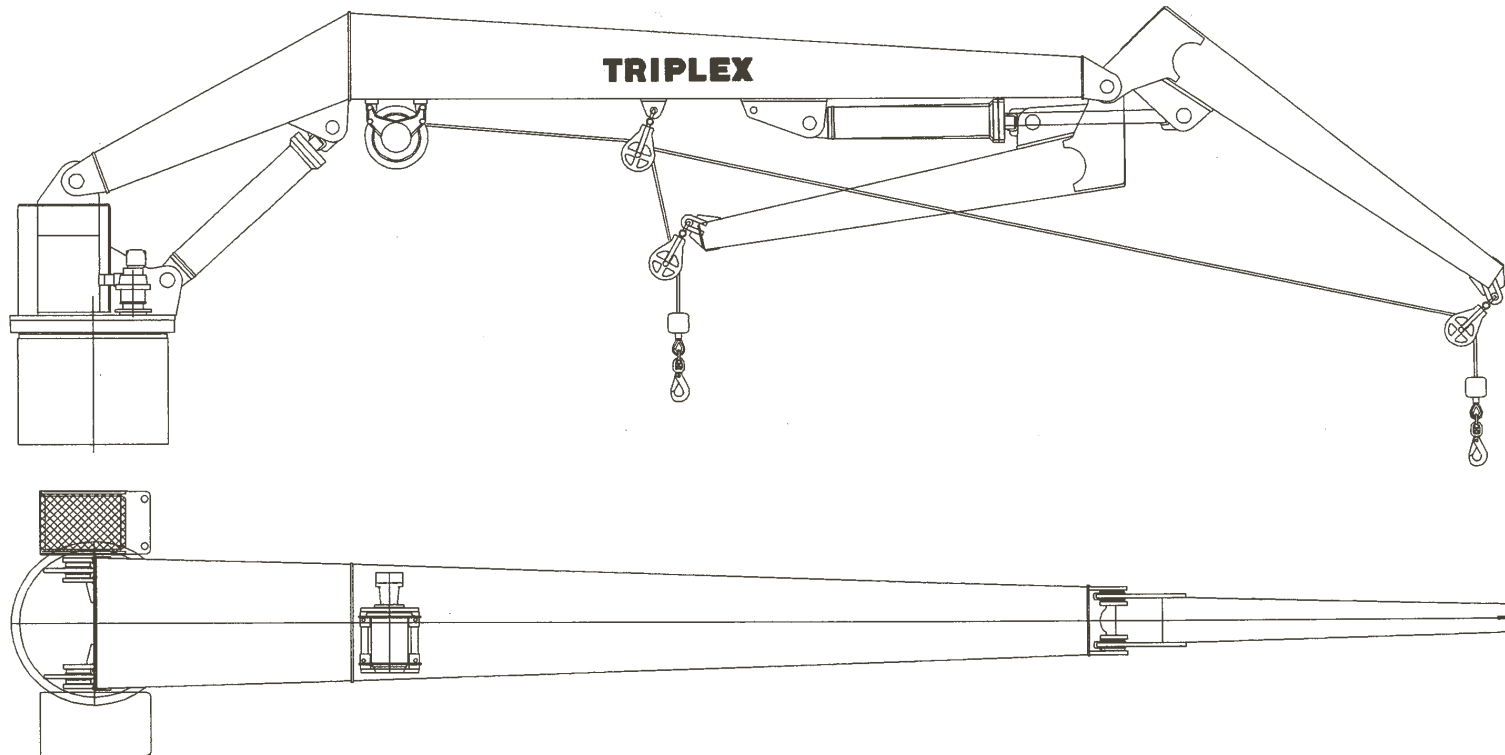


# TRIPLEX AS PRODUCTS

Henda, 6530 Averøy  
NORWAY  
Tel. +47 71 51 39 00  
Fax +47 71 51 39 01  
post@triplex.no  
www.triplex.no

## DECK CRANES / knockle

Deck Cranes
Knuckle Cranes
Type KN-10
Type KN-16
Type KN-25
Type KN-30
Type KN-50
<b>Type KN-75</b>
Type KN-120
Straight Arm Cranes
Type K-10
Type K-16
Type K-25
Type K-30
Type K-50
Type K-75
Type K-120



**Type KN-75**  
 Dimensioned lifting capacity SWL . . . 75,0 Tm  
 Winch capacity . . . . . 4,0-6,0 Tonnes  
*Winch capacity depends on working radius*  
 Max. working radius (reach) . . . . . 12,0-18,0 m  
 Weight, approx . . . . . 9.000 kgs



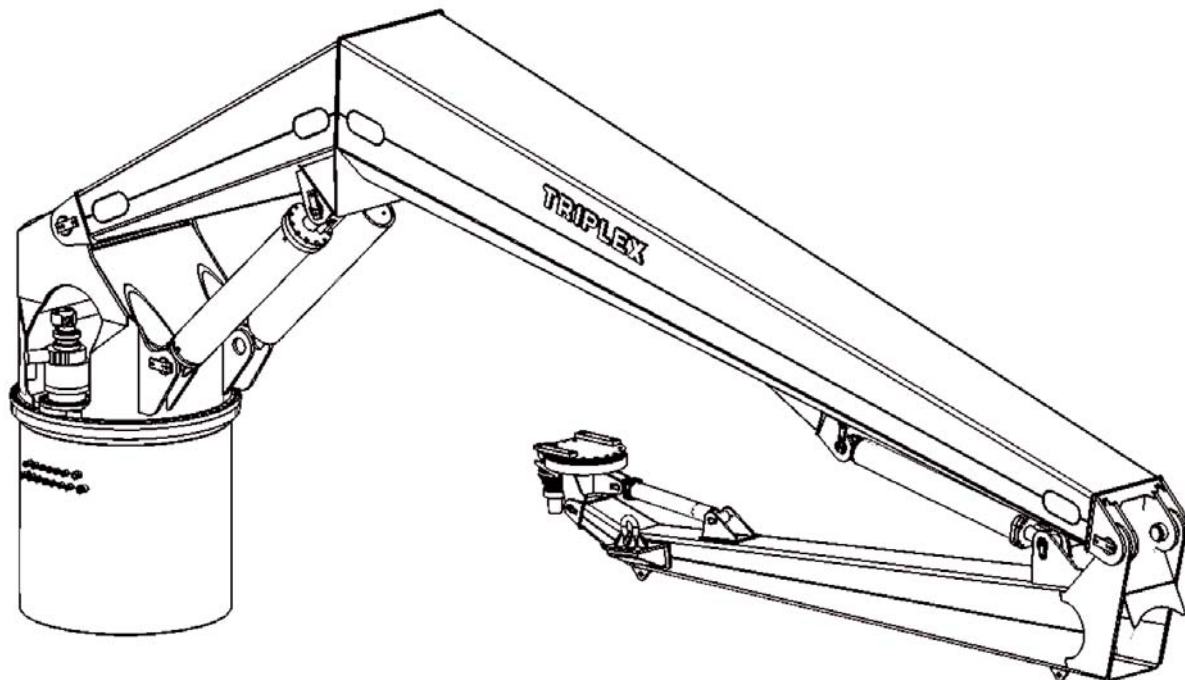


# TRIPLEX AS PRODUCTS

Henda, 6530 Averøy  
NORWAY  
Tel. +47 71 51 39 00  
Fax +47 71 51 39 01  
post@triplex.no  
www.triplex.no

## - DECK CRANES / knuckle

Deck Cranes
Knuckle Cranes
Type KN-10
Type KN-16
Type KN-25
Type KN-30
Type KN-50
Type KN-75
<b>Type KN-120</b>
Straight Arm Cranes
Type K-10
Type K-16
Type K-25
Type K-30
Type K-50
Type K-75
Type K-120



**TYPE KN 120**  
 Dimensioned lifting capacity SWL . . . 120 TM  
 Winch capacity . . . . . 5,0–9,0 Tonnes  
*Winch capacity depends on working radius*  
 Max. working radius (reach) . . . . . 13,0–20,0 m  
 Weight, approx . . . . . 12.000 kgs

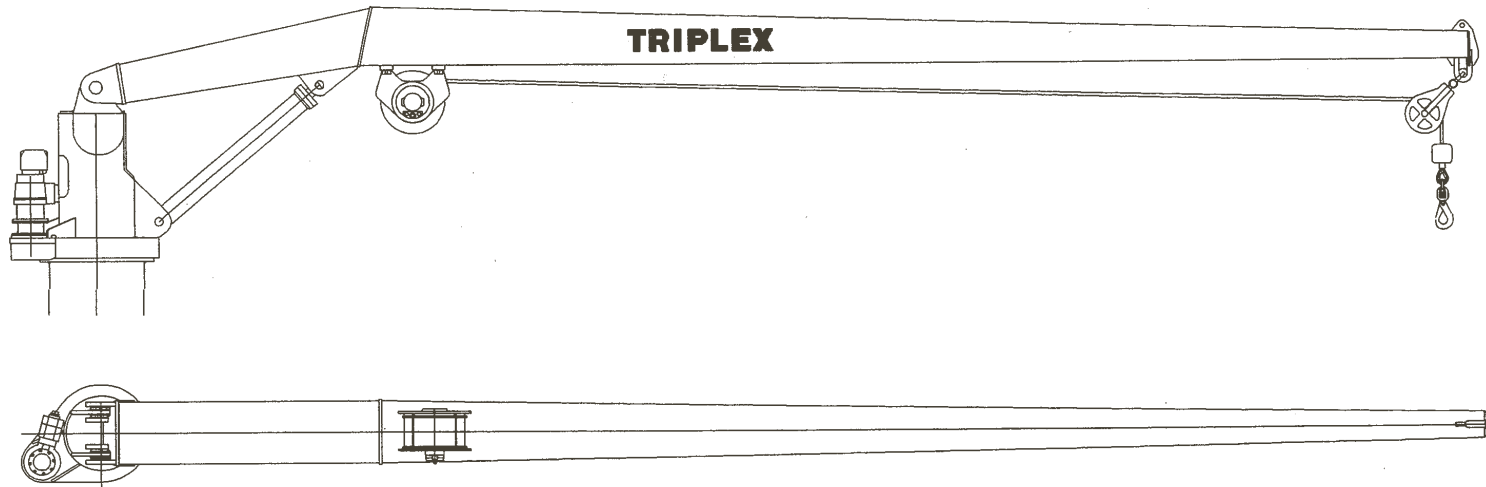


# TRIPLEX AS PRODUCTS

Henda, 6530 Averøy  
NORWAY  
Tel. +47 71 51 39 00  
Fax +47 71 51 39 01  
post@triplex.no  
www.triplex.no

## DECK CRANES / straight arm

Deck Cranes
Knuckle Cranes
Type KN-10
Type KN-16
Type KN-25
Type KN-30
Type KN-50
Type KN-75
Type KN-120
Straight Arm Cranes
<b>Type K-10</b>
Type K-16
Type K-25
Type K-30
Type K-50
Type K-75
Type K-120



**Type K-10**  
 Dimensioned lifting capacity SWL . . . 11,0 Tm  
 Winch capacity . . . . . 0,5–2,0 Tonnes  
*Winch capacity depends on working radius*  
 Max. working radius (reach) . . . . . 5,0–10,0 m  
 Weight, approx . . . . . 2.000 kgs

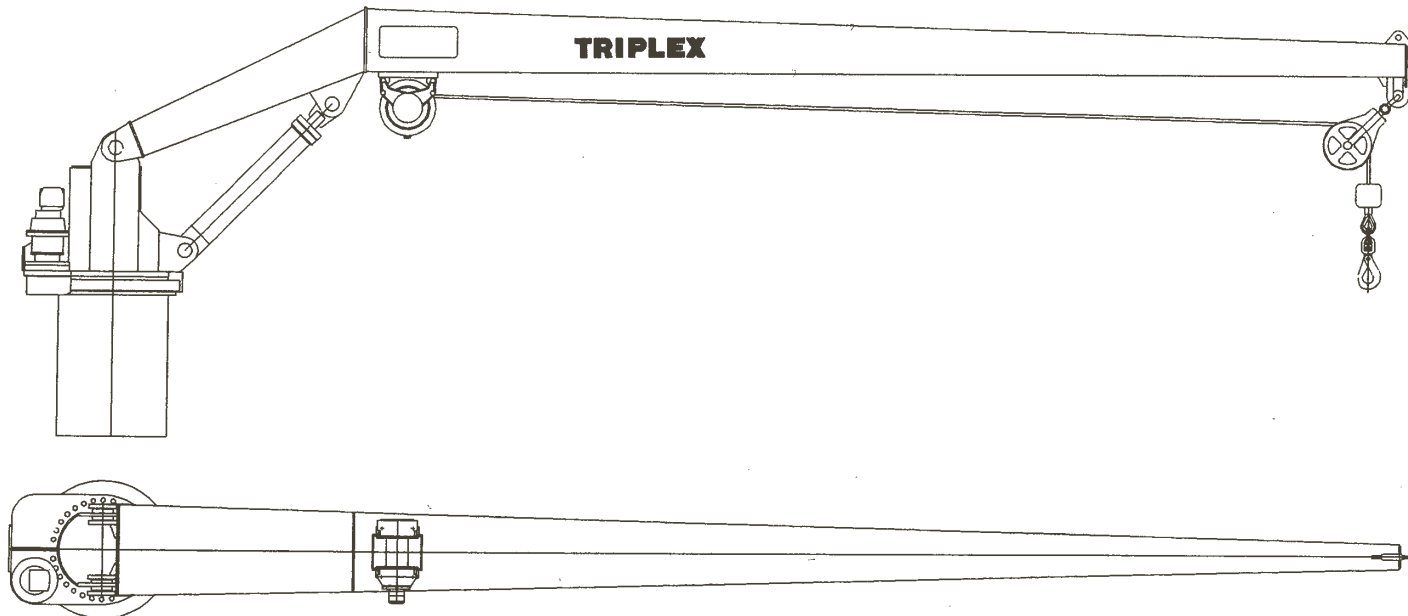


# TRIPLEX AS PRODUCTS

Henda, 6530 Averøy  
 NORWAY  
 Tel. +47 71 51 39 00  
 Fax +47 71 51 39 01  
 post@triplex.no  
 www.triplex.no

## DECK CRANES / straight arm

Deck Cranes
Knuckle Cranes
Type KN-10
Type KN-16
Type KN-25
Type KN-30
Type KN-50
Type KN-75
Type KN-120
Straight Arm Cranes
Type K-10
<b>Type K-16</b>
Type K-25
Type K-30
Type K-50
Type K-75
Type K-120



**Type K-16**  
 Dimensioned lifting capacity SWL . . . 18,5 Tm  
 Winch capacity . . . . . 1,0–2,6 Tonnes  
*Winch capacity depends on working radius*  
 Max. working radius (reach) . . . . . 7,0–10,0 m  
 Weight, approx . . . . . 2.200 kgs

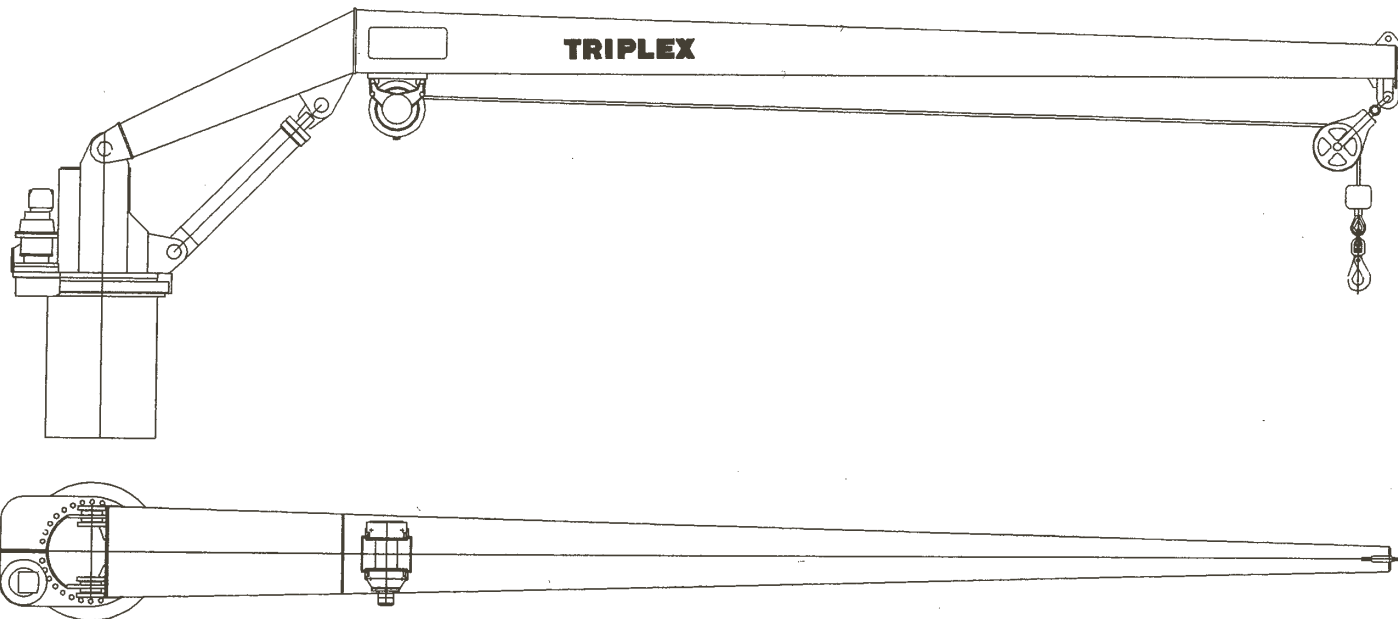


# TRIPLEX AS PRODUCTS

Henda, 6530 Averøy  
NORWAY  
Tel. +47 71 51 39 00  
Fax +47 71 51 39 01  
post@triplex.no  
www.triplex.no

## DECK CRANES / straight arm

Deck Cranes
Knuckle Cranes
Type KN-10
Type KN-16
Type KN-25
Type KN-30
Type KN-50
Type KN-75
Type KN-120
Straight Arm Cranes
Type K-10
Type K-16
<b>Type K-25</b>
Type K-30
Type K-50
Type K-75
Type K-120



**Type K-25**  
 Dimensioned lifting capacity SWL . . . 25,0 Tm  
 Winch capacity . . . . . 2,5-3,1 Tonnes  
*Winch capacity depends on working radius*  
 Max. working radius (reach) . . . . . 8,0-10,0 m  
 Weight, approx . . . . . 2.200 kgs

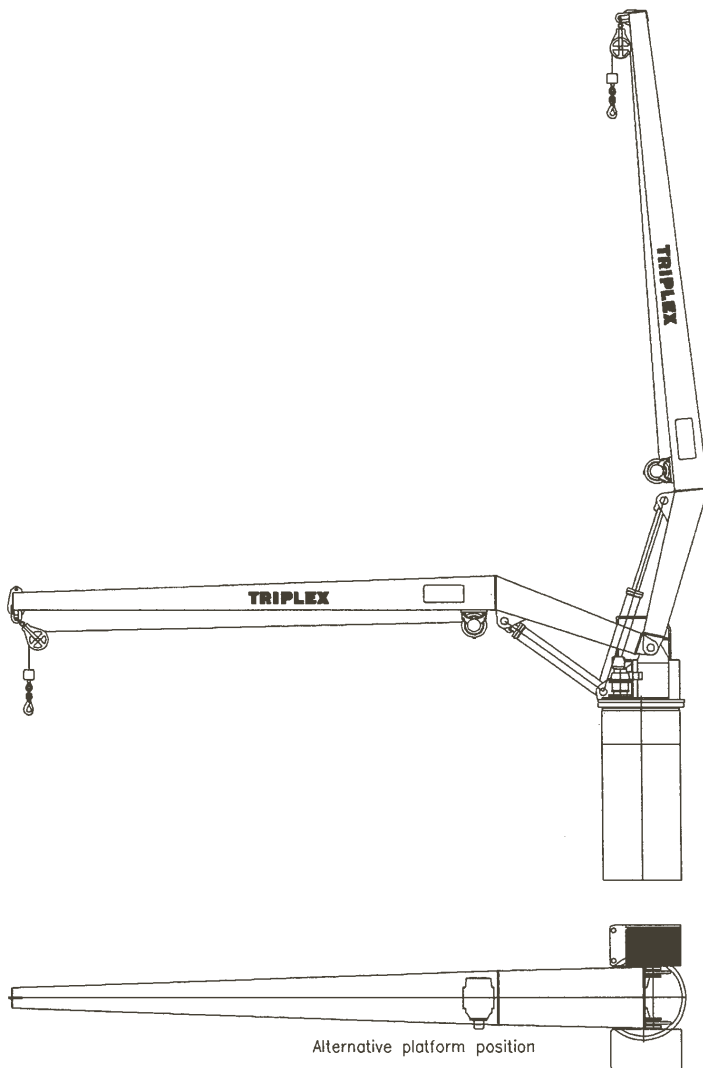


# TRIPLEX AS PRODUCTS

Henda, 6530 Averøy  
NORWAY  
Tel. +47 71 51 39 00  
Fax +47 71 51 39 01  
post@triplex.no  
www.triplex.no

## DECK CRANES / straight arm

Deck Cranes
Knuckle Cranes
Type KN-10
Type KN-16
Type KN-25
Type KN-30
Type KN-50
Type KN-75
Type KN-120
Straight Arm Cranes
Type K-10
Type K-16
Type K-25
<b>Type K-30</b>
Type K-50
Type K-75
Type K-120



**Type K-30**  
 Dimensioned lifting capacity SWL... 33,0 Tm  
 Winch capacity ..... 2,0–3,5 Tonnes  
*Winch capacity depends on working radius*  
 Max. working radius (reach) ..... 7,5–12,0 m  
 Weight, approx ..... 3.800 kgs

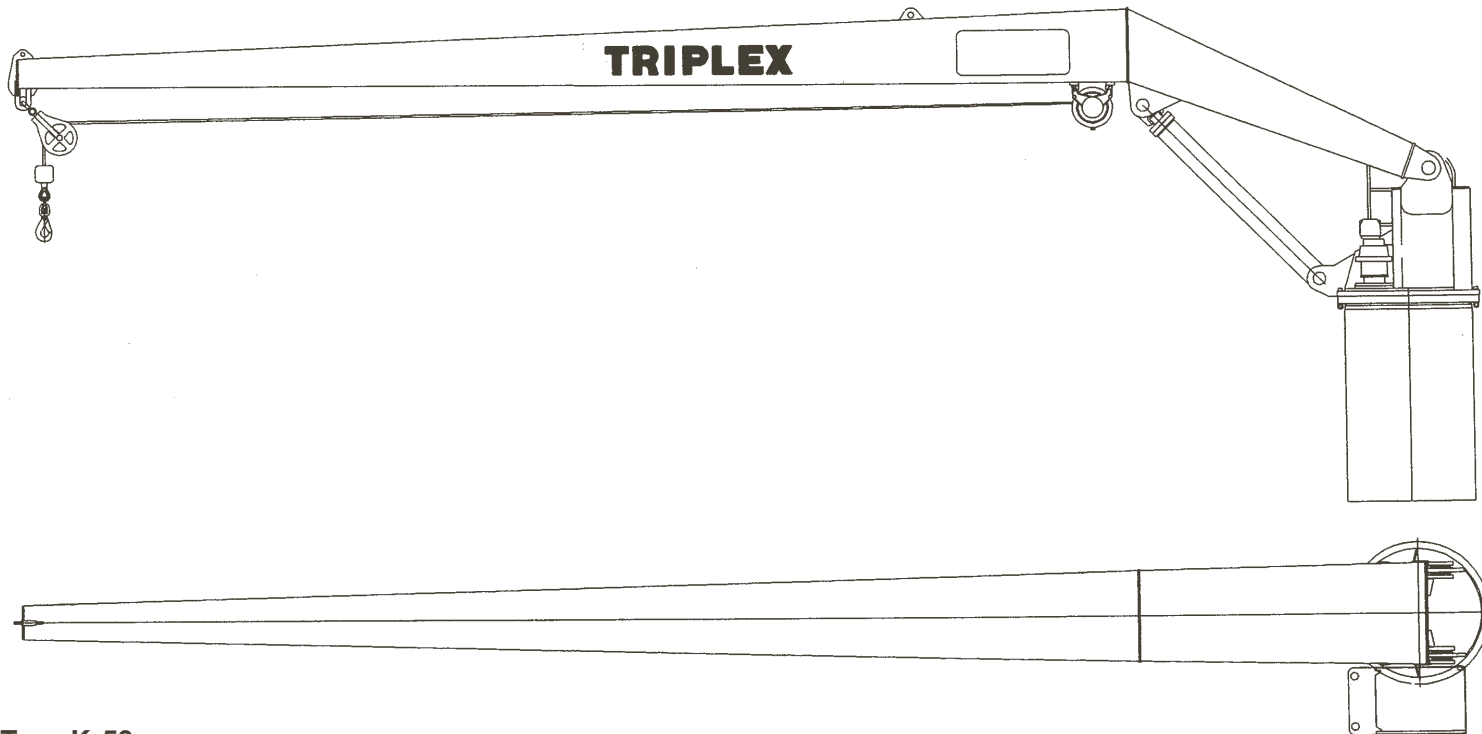


# TRIPLEX AS PRODUCTS

Henda, 6530 Averøy  
 NORWAY  
 Tel. +47 71 51 39 00  
 Fax +47 71 51 39 01  
 post@triplex.no  
 www.triplex.no

## DECK CRANES / straight arm

Deck Cranes
Knuckle Cranes
Type KN-10
Type KN-16
Type KN-25
Type KN-30
Type KN-50
Type KN-75
Type KN-120
Straight Arm Cranes
Type K-10
Type K-16
Type K-25
Type K-30
<b>Type K-50</b>
Type K-75
Type K-120



**Type K-50**  
 Dimensioned lifting capacity SWL . . . 55,0 Tm  
 Winch capacity . . . . . 2,5–5,0 Tonnes  
*Winch capacity depends on working radius*  
 Max. working radius (reach) . . . . . 10,0–16,0 m  
 Weight, approx . . . . . 5.800 kgs

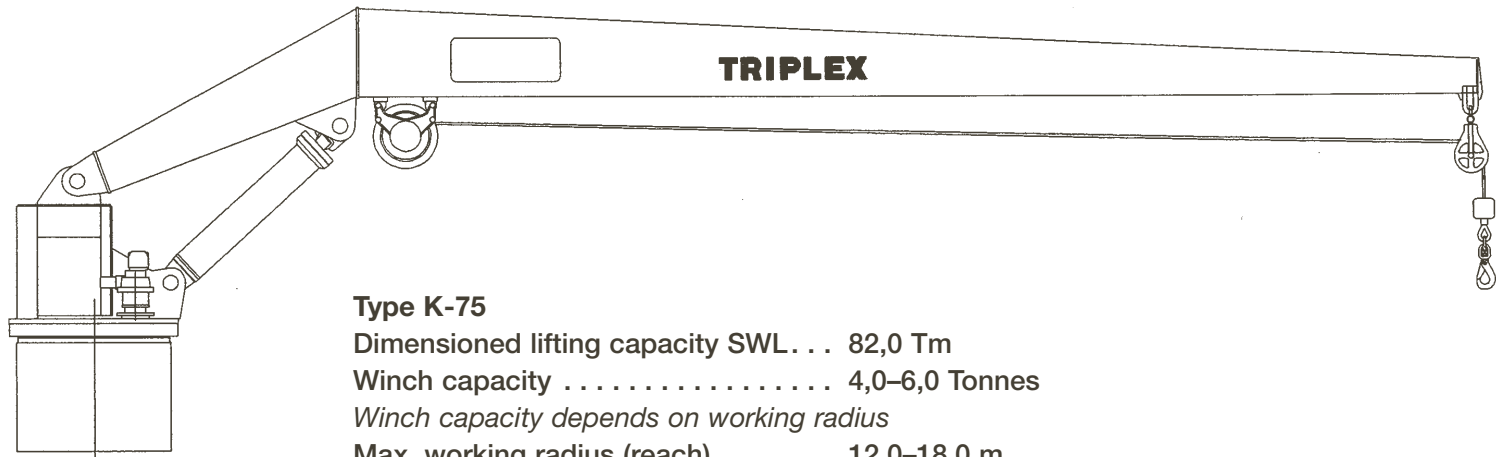


# TRIPLEX AS PRODUCTS

Henda, 6530 Averøy  
 NORWAY  
 Tel. +47 71 51 39 00  
 Fax +47 71 51 39 01  
 post@triplex.no  
 www.triplex.no

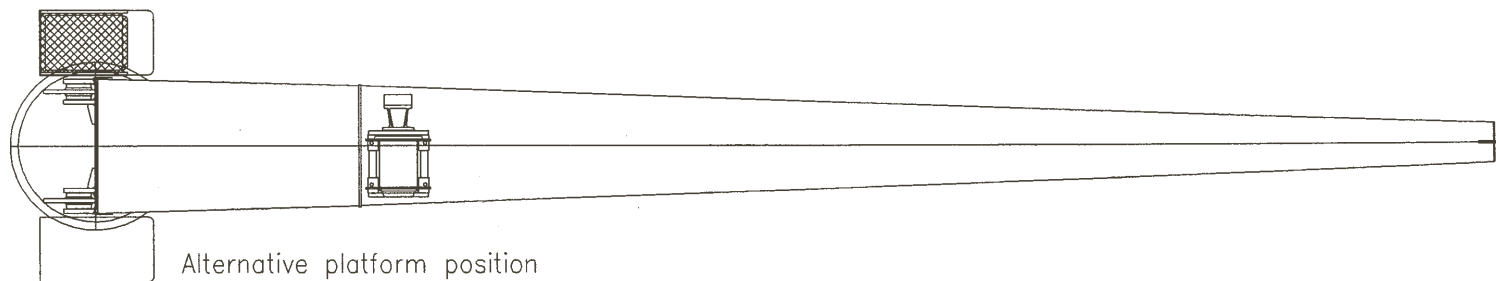
## DECK CRANES / straight arm

Deck Cranes
Knuckle Cranes
Type KN-10
Type KN-16
Type KN-25
Type KN-30
Type KN-50
Type KN-75
Type KN-120
Straight Arm Cranes
Type K-10
Type K-16
Type K-25
Type K-30
Type K-50
<b>Type K-75</b>
Type K-120



### Type K-75

Dimensioned lifting capacity SWL . . . 82,0 Tm  
 Winch capacity . . . . . 4,0-6,0 Tonnes  
*Winch capacity depends on working radius*  
 Max. working radius (reach) . . . . . 12,0-18,0 m  
 Weight, approx . . . . . 8.000 kgs



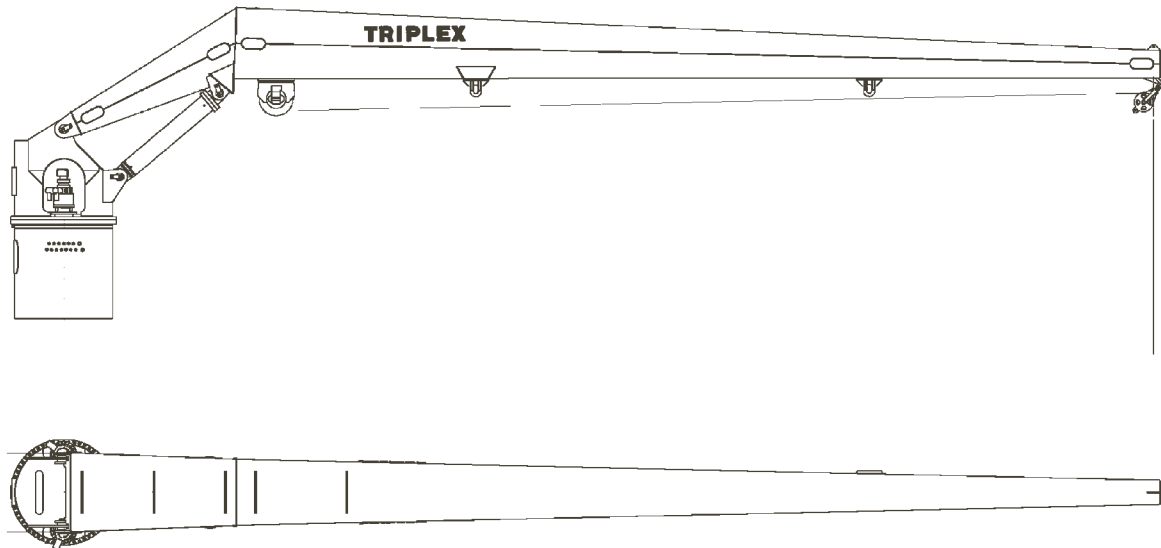
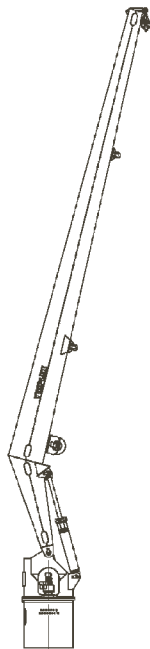


# TRIPLEX AS PRODUCTS

Henda, 6530 Averøy  
 NORWAY  
 Tel. +47 71 51 39 00  
 Fax +47 71 51 39 01  
 post@triplex.no  
 www.triplex.no

## - DECK CRANES / straight arm

Deck Cranes
Knuckle Cranes
Type KN-10
Type KN-16
Type KN-25
Type KN-30
Type KN-50
Type KN-75
Type KN-120
Straight Arm Cranes
Type K-10
Type K-16
Type K-25
Type K-30
Type K-50
Type K-75
<b>Type K-120</b>



### Type K-120

Dimensioned lifting capacity SWL . . . 120,0 Tm  
 Winch capacity . . . . . 7,0–10,0 Tonnes  
*Winch capacity depends on working radius*  
 Max. working radius (reach) . . . . . 12,0–17,0 m  
 Weight, approx . . . . . 11.800 kgs