

603/360

TRIPLEX Net winch

Type 603/360/2 DAP



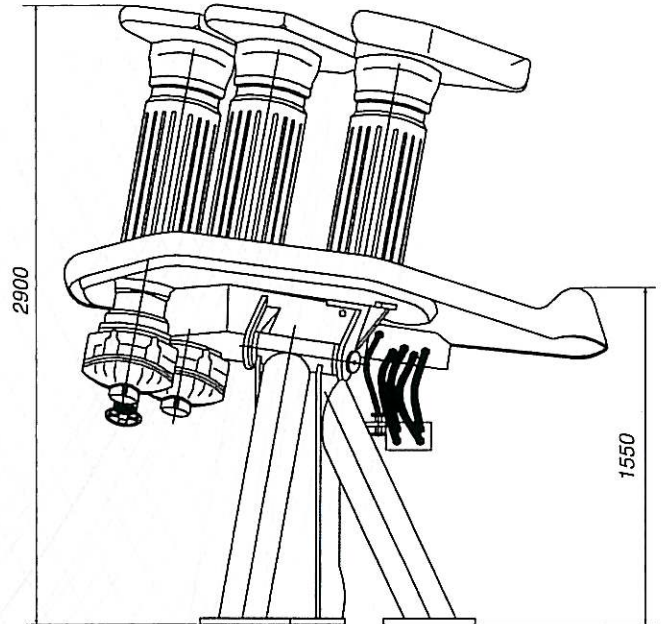
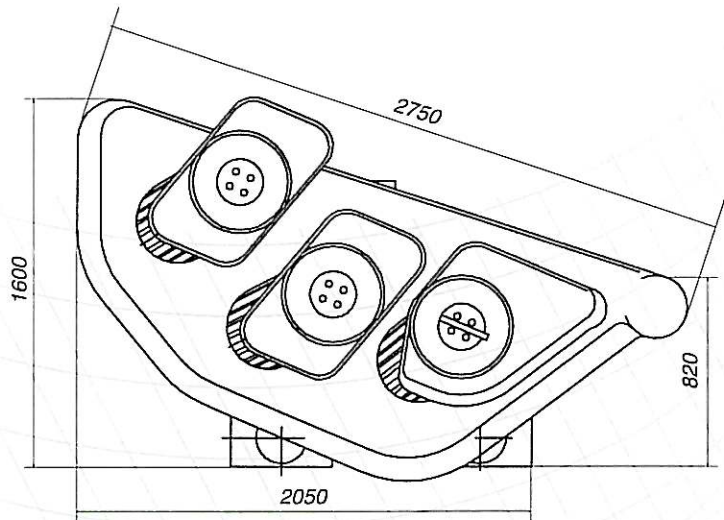
Faster and easier nethandling



Triplex Net winch type 603/360/2 DAP

Triplex Net Winch type 603/360/2 DAP

- is designed to take the heaviest load in the toughest conditions
- hauls the net with all 3 rollers simultaneously and therefore provides an effective and steady pull on the net and cork-line
- can be supplied with different base lengths
- is available for either starboard or port side mounting



Technical specifications

Max. theoretical hauling power	12 tons
Hauling speed	(30) 45 m/min
Variable speed control	0-(30)45 m/min
Required power for pump	(82) 130 kW
Pump capacity	(320) 480 l/min
Max. working pressure	150 bars
Weight with low legs	(approx) 3.050 kgs

Figures in parentheses refer to hauling speed at 30 m/ min.



TRIPLEX AS

HENDA, NO-6530 AVERØY, NORWAY
Phone (47) 71 51 39 00 – Fax (47) 71 51 39 01
E-mail: sales@triplex.no
www.triplex.no