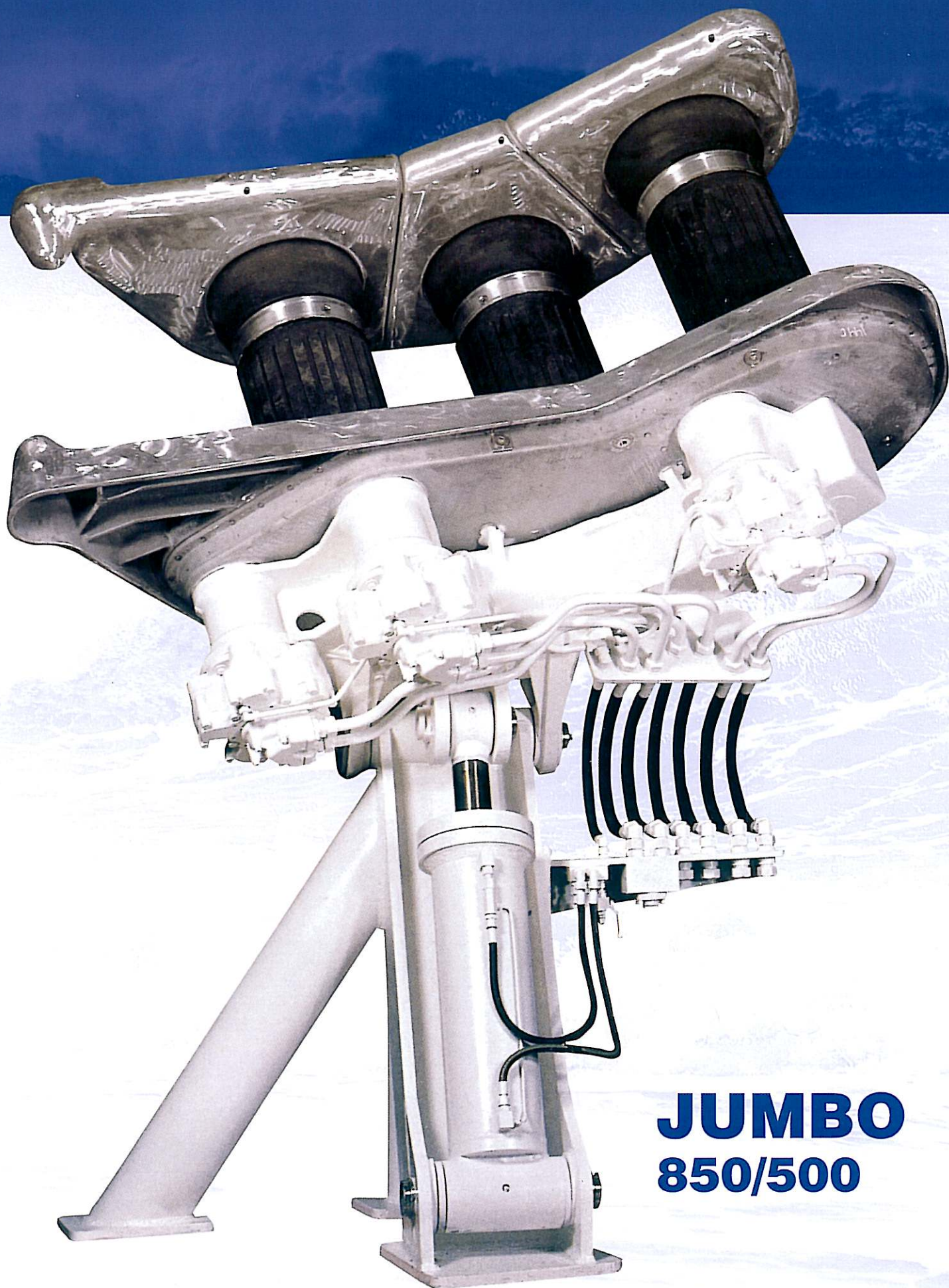


TRIPLEX NET WINCH TYPE 850/500



FOR THE ROUGHEST CONDITIONS

TRIPLEX NET WINCH



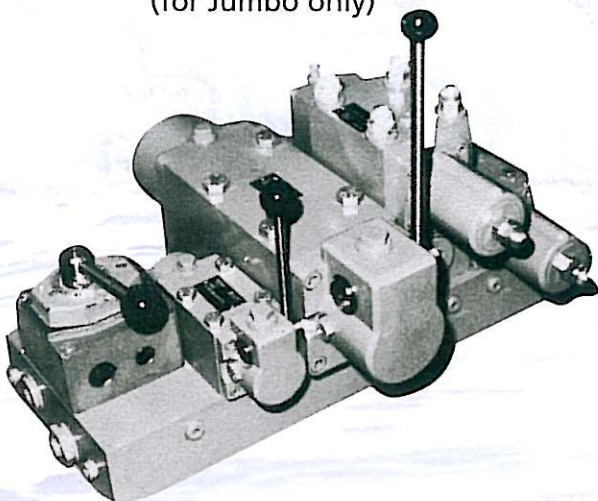
JUMBO
850/500

The modern way to handle nets

TRIPLEX NET WINCH **TYPE 850/500**

- the most powerful Net Winch in the Triplex series
- can haul the net with full power and full speed simultaneously
- available with hauling power from 25 to 37 ton
- extra large roller diameter (500 mm) and a centre roller off-set, improves net traction area and permits a wider gap between rollers
- hauls the net with all 3 rollers simultaneously and therefore provides an effective and steady pull on the net and cork-line
- causes minimal wear on the net. This is mainly due to the distribution of hauling power over the greater length and full width of the net
- special tilt feature make drying operation simpler and safer
- all bearings run on tempered steel rings eliminating wear of the shafts, and increase the working life of the bearings
- all gear wheels, pinions and bearings are running in oil-bath
- independent hydraulic declutching of aft roller (optional)
- available for either starbord or port side installation

Control valve block
(for Jumbo only)

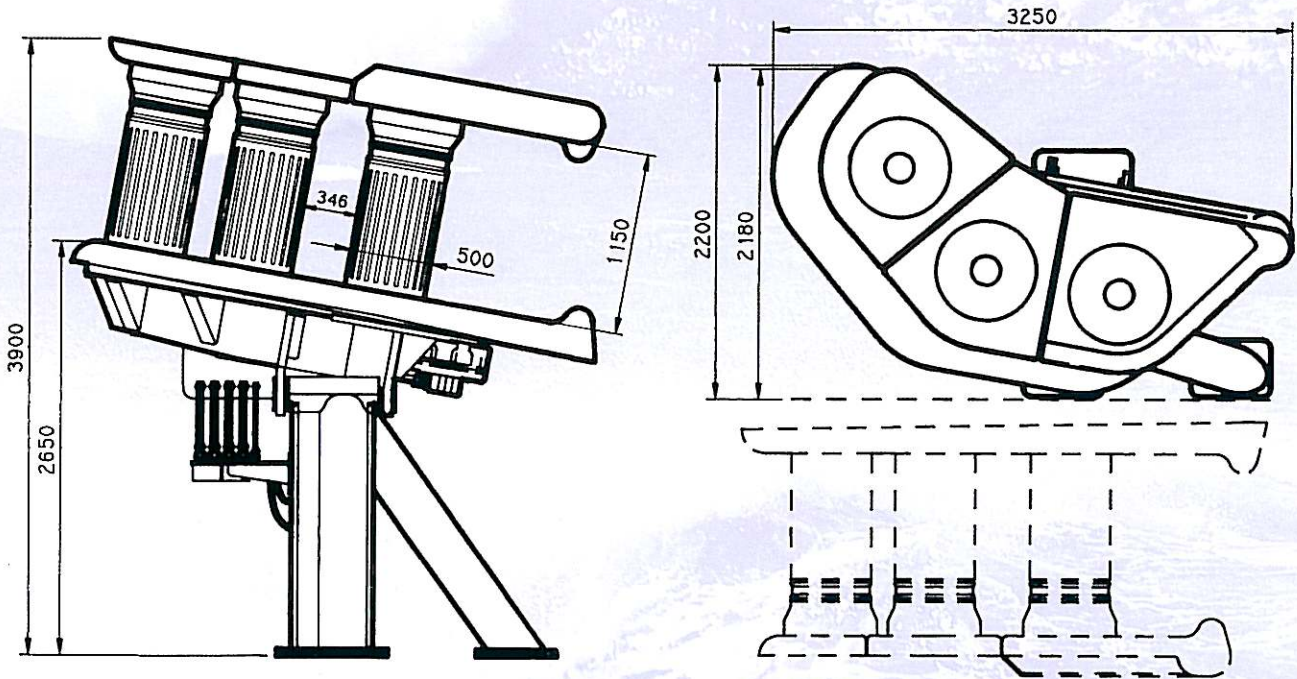


Remote control panel for Jumbo, NK-5012
and Intermediate Roller



TRIPLEX

– when reliability comes first



TECHNICAL SPECIFICATIONS:

Max. theoretical hauling power.....	25	31	40 ton
Max. hauling speed.....	70	70	70
Recommended hauling speed.....	45	45	45 m/min
Stepless speed regulation.....	0-70	0-70	0-70 m/min
Pump capacity (at recommended speed).....	625	770	810 l/min
Required power for pump (recommended speed).....	200	247	320 kw
Working pressure.....	175	175	215 bar
Tilting angle.....	107°	107°	107°
Length of roller incl. slipp-ring and corkline roller.....	1150	1150	1150 mm
Roller diameters.....	500	500	500 mm
Weight.....	7.480	7.550	7.570 kgs



TRIPLEX AS

Henda, N-6530 Averøy, Norway

Phone: (47) 71 51 39 00

Fax: (47) 71 51 39 01

E-mail: post@triplex.no

www.triplex.no