

# TRIPLEX NET WINCH TYPE 525/300

## NEW MODEL

- Can haul the net with full power and full speed simultaneously
- Centre roller offset, improves net traction area
- Hauls the net with all 3 rollers simultaneously and therefore provides an effective and steady pull on the net and corkline
- Easy regulation of corkline speed
- Special tilt feature make drying operation simple and safe
- Two powerful hydraulic motors
- All gear wheels, pinions and bearings are running in oil-bath
- Available for either starboard or port side installation



### CAN BE DELIVERED WITH THE FOLLOWING OPTIONS:

- Mechanical declutching of aft roller
- Hydraulic motors operated in series/parallel
- Extended base legs



## TRIPLEX AS

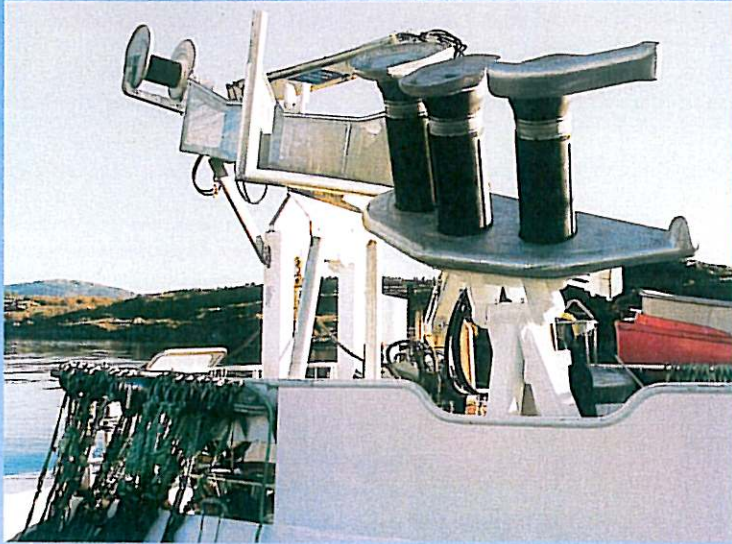
HENDA, N-6530 AVERØY, NORWAY

Phone: (47) 71 51 39 00 • Fax: (47) 71 51 39 01

E-mail: sales@triplex.no [www.triplex.no](http://www.triplex.no)



# TRIPLEX – for faster and easier net hauling

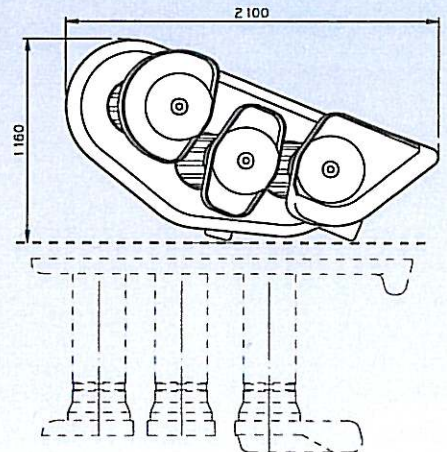
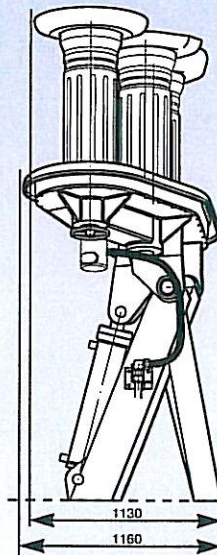
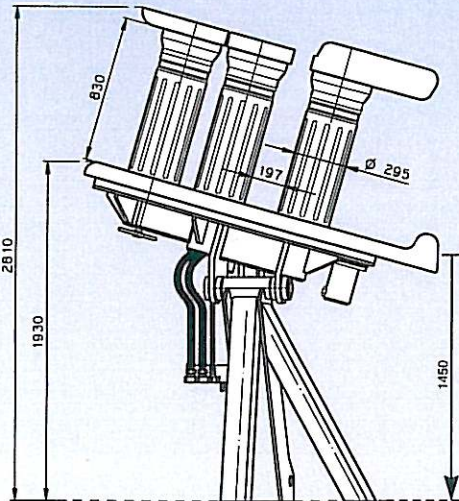


## TECHNICAL SPECIFICATIONS (parallel):

Max. theoretical hauling power .....	6,5 tons
Max. hauling speed .....	60 m/min
Recommended hauling speed .....	36 m/min
Stepless speed regulation .....	0–36 m/min
Required pump capacity, at recommended speed 36 m/min .....	160 l/min
Working pressure.....	160 bars
Required power for pump .....	50 kW
Weight (with standard base legs) .....	1.400 kgs

## TECHNICAL SPECIFICATIONS (series/parallel):

Max. theoretical hauling power (series) ..	3,25 tons
Max. theoretical hauling power (parallel)	6,5 tons
Max. hauling speed .....	60 m/min
Recommended hauling speed (series) ...	36 m/min
Recommended hauling speed (parallel) .	18 m/min
Stepless speed regulation .....	0–36 m/min
Required pump capacity, at recommended speed 36 m/min .....	80 l/min
Working pressure.....	160 bars
Required power for pump .....	25 kW
Weight (with standard base legs).....	1.400 kgs



## TRIPLEX AS

HENDA, N-6530 AVERØY, NORWAY  
 Phone: (47) 71 51 39 00 • Fax: (47) 71 51 39 01  
 E-mail: sales@triplex.no [www.triplex.no](http://www.triplex.no)